

Green Laser Diode Module **AML-D120-525001-01**

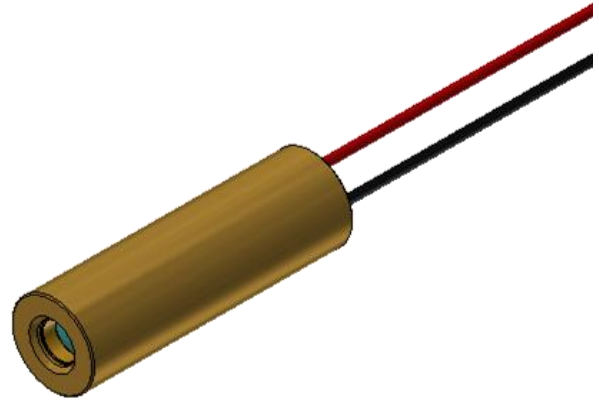
1mW Green Laser Module

Features

1. APC (auto power control) driver circuit
2. Wide input voltage range (3~ 6VDC)
3. Stable Output power of <1mW
4. High quality glass lens for output beam

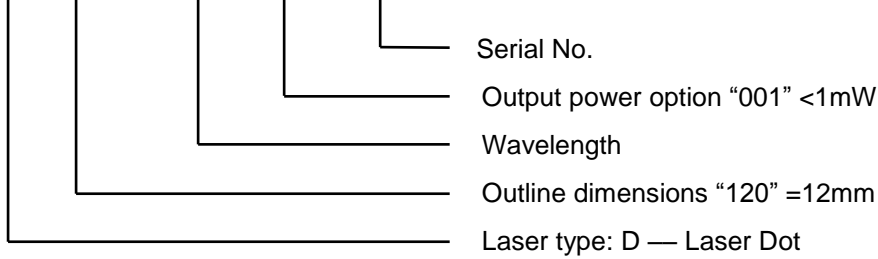
Applications

1. General purpose green laser light source
2. Industrial laser marker
3. Laser leveler



Part No. Indications:

AML- D 120 - 525 001 - 01



Absolute maximum ratings ($T_c=25^\circ\text{C}$)

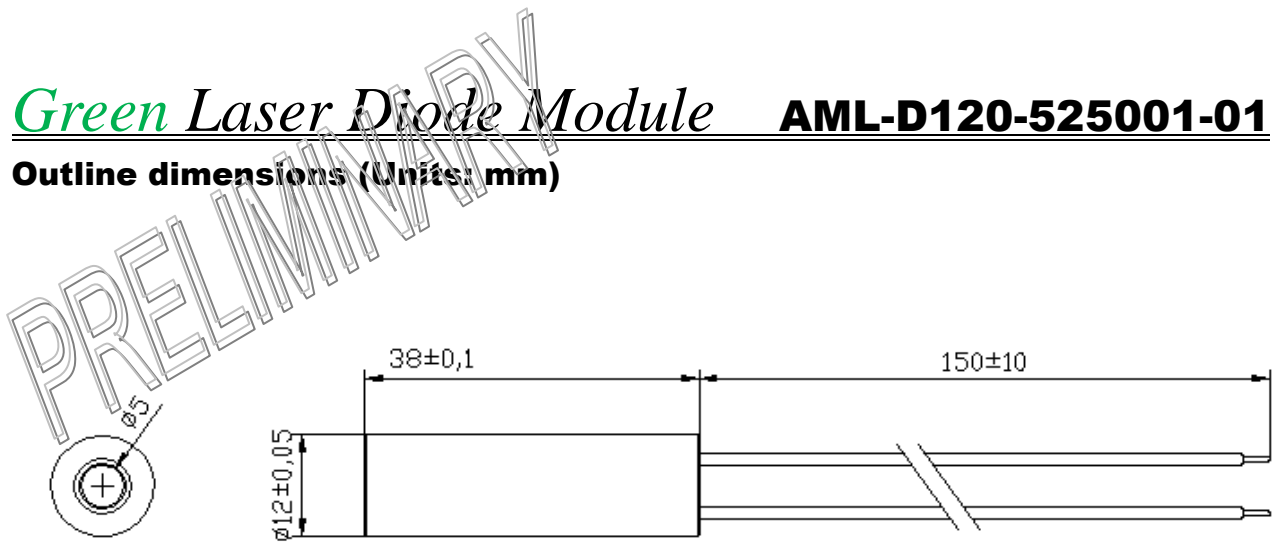
Item	Symbol	Rating	Unit
Power supply voltage	V_{cc}	6	V
Laser Module optical output power	P_o	1	mW
Operation Case Temperature	T_c	0~60	$^\circ\text{C}$
Storage Temperature	T_{stg}	-40~80	$^\circ\text{C}$

Electrical and optical characteristics ($T_c=25^\circ\text{C}$)

Item	Symbol	Min.	Typ.	Max	Unit	Condition
Wavelength	λ	510	-	525	nm	$P_o=1\text{mW}$
Output power	P_{out}		<1		mW	$V_{cc}=3\text{V}$
Operation current	I_{op}	-	180	250	mA	$P_o=1\text{mW}$ $V_{cc}=3\text{V}$
Operation voltage	V_{op}	3		6	Volt	
Laser Beam spot size at 10m				<15mm		
Divergence angle				1.5 mrad		

Green Laser Diode Module **AML-D120-525001-01**

Outline dimensions (Units: mm)



Unit: mm

Red wire : Vcc

Black wire : GND

Laser Safety Precautions

1. Do not look into the laser beam directly by eyes. The laser beam may cause severe damage to human eyes.
2. Optical Lens is made of glass . Do not contaminate lens by soiling, oil or chemical.